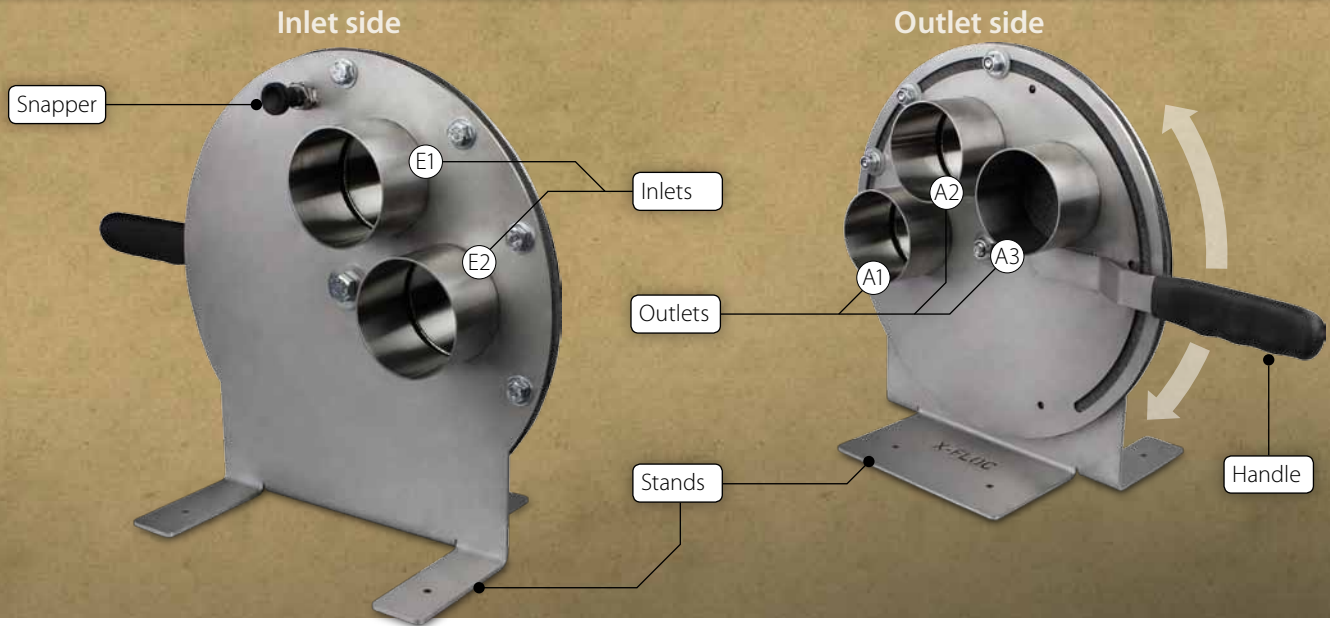



# Revolver Fibre Switch NW75 (3")

## Preparing Multiple Hoses or Blowing and Aspiration Switchovers

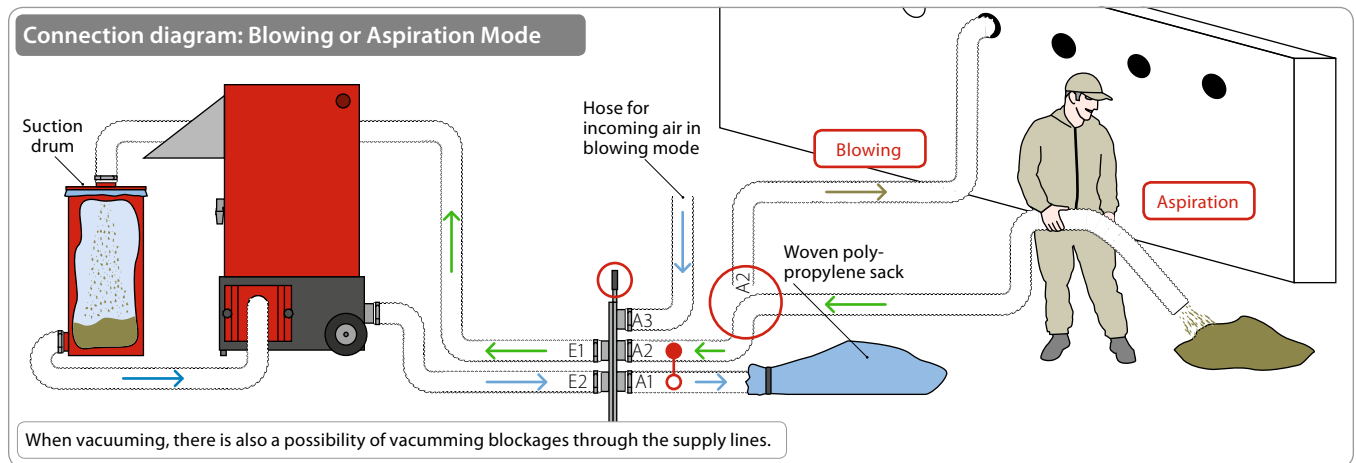
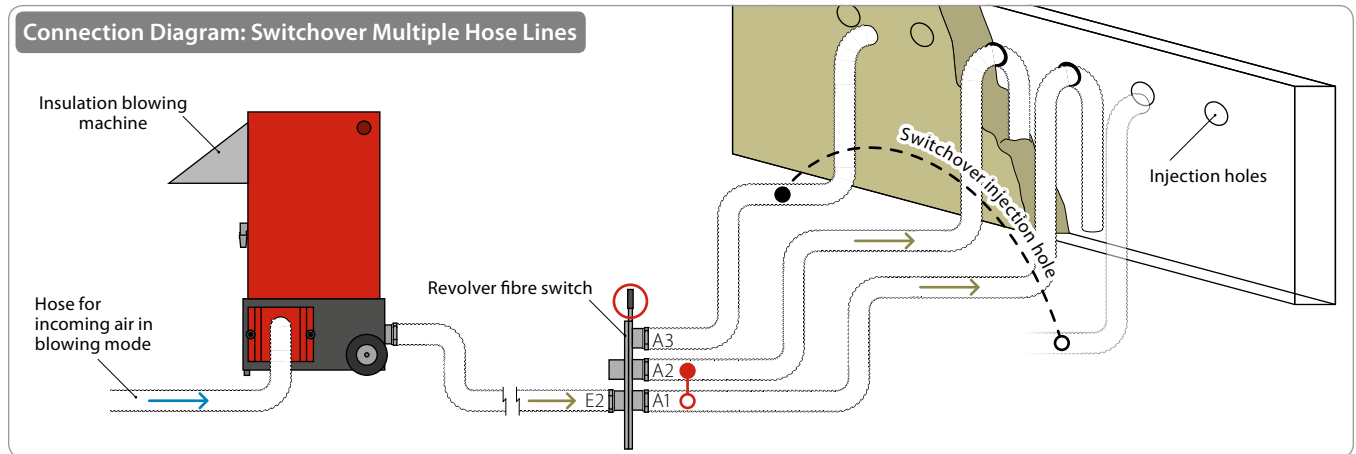


The revolver fibre switches are equipped with 3 outlets. This facilitates rational preparation of several injection holes. Numerous compartments can be filled quickly. The fibre switches tighten very well and are easily adjustable. It also allows simple switchovers between blowing and aspiration mode.

 Technical data:  
see backside

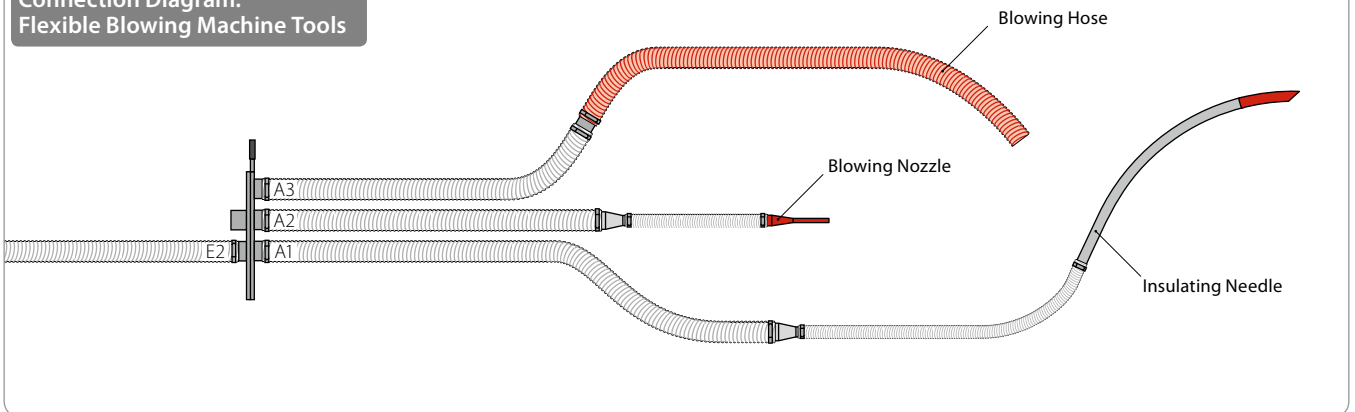
### Examples for Usage:

- ▶ Quick switchovers between blowing and aspiration mode
- ▶ Uninterruptible filling of elements
- ▶ Switchover option on wide compartments loaded with two or three hoses
- ▶ Switchovers between up to three different injection tools, fixed hose or pipe lines in serial production



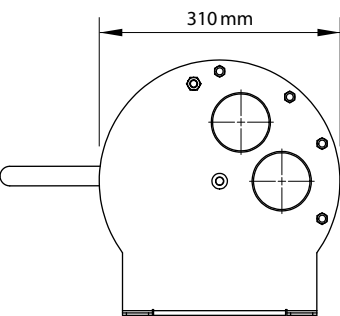
→ Air     
 → Blow the materials     
 ← Vacuum the material

**Connection Diagram:  
Flexible Blowing Machine Tools**

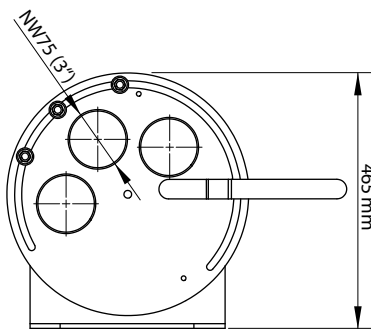


**Main Dimensions**

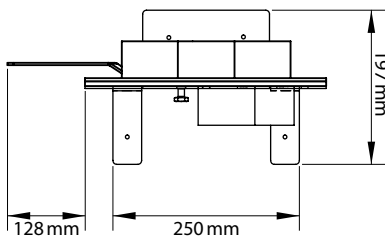
Inlet Side



Outlet Side



Mounting Plate



**Technical Details**

Type	2 > 3 NW75
Inlet	2 x NW75 (3")
Outlet	3 x NW75 (3")
Weight	ca. 4,6 kg
Status	Konsole
Prod. no.	6058

**Optional Accessories**



**Reducer Tube  
NW75 > 50 for  
Fibre Switching**  
Reducer Tube  
Insertion in inlet or  
outlet.  
Prod. no. 6890

**Application Examples**



Fixed installation on the blowing mobile for switchover between blowing and suction operation



Mobile insertion using switchover function between blowing and suction operation