

GBF1050 Bale Conditioning System

Processing of Blowing Insulation Materials in Large Industrial Quantities

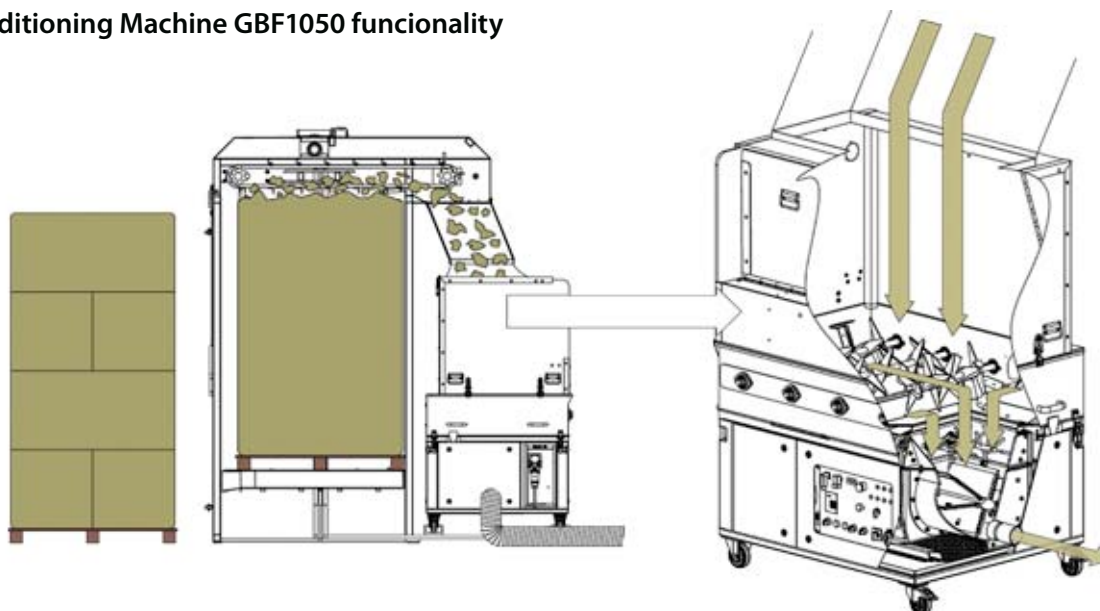


www.x-floc.com



- Compatible with most insulation blowing machines
- Ideal feeder unit for the blowing panel
- Appropriate for big bales of cellulose, wood fibre and mineralwool
- Processing the bale conditioning of stacked materials
- Remarkable efficiency for thermal insulation of prefab elements

Bale Conditioning Machine GBF1050 functionality



The Bale Conditioning Machine GBF1050 is specifically designed for the bale conditioning processing of insulation materials or stacked insulation bales. The machine is intended for stationary use, where it forms the base for a highly efficient filling for wall, ceiling and finished elements.

The pressed insulation material is loosened and fed through a chute in the blowing machine. Using a level measurement device, the bale conditioning machine facilitates: As soon as blowing machines feeding container is full, the loosening process will stop.

Many types of blowing machines are compatible with the Bale Conditioning Machine GBF1050. The material flow volume can be freely adjusted.

Can be placed on weighing cells

The bale conditioning machine can be provided with weighing cells. This enables the consumed materials to be accurately measured and thus a reproducible element filling. This ensures quality.

Technical Data

L x W x H:	2165 x 1880 x 3195 mm
Weight:	approx. 1200 kg
Material processing speed:	up to 1500 kg/h
Power supply:	400 V / 50 Hz / 3 x 16 A
Power rating:	7,5 kW

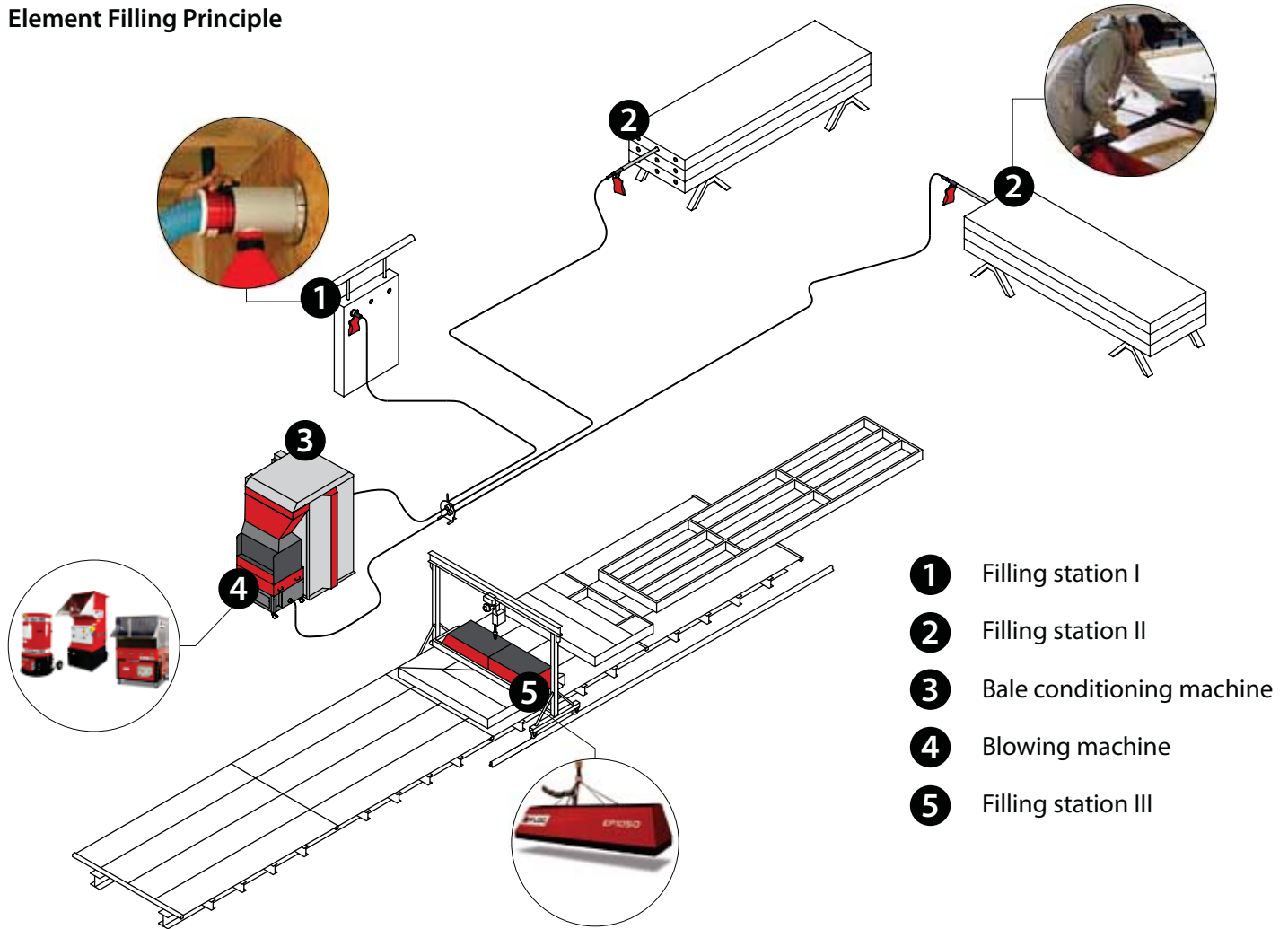
GBF1050 Bale Conditioning System

Principle, Dimensioning and Images



www.x-floc.com

Element Filling Principle



- 1 Filling station I
- 2 Filling station II
- 3 Bale conditioning machine
- 4 Blowing machine
- 5 Filling station III

Dimension:

