

Injection Bezels for Walls and Ceilings

Little Dust Formations and Protection of the Construction



www.x-floc.com



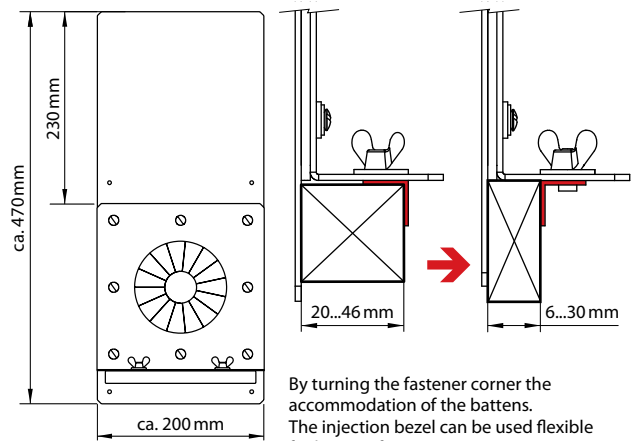
The injection bezel of X-Floc facilitates the blowing injection of loose insulation materials in wall and ceiling structures. Also formworks with supporting battens with vapour barriers and air tightness membranes can be injected more secure.

The injection bezel can be put behind the battens very easy. In the middle of the bezel a hole for the hose can be cut.

An adjustable stop rail avoids busting and damages of the tightness membrane when the hose is inserted in the bezel opening through the rubber rosette.

The flexible rubber sealing surrounds injection hoses from diameter 50 to 75 mm dust-free. Dust emissions and cracked injection holes are past now.

This saves much time. The use of two bezels is recommend to make seamless working possible.



By turning the fastener corner the accommodation of the battens. The injection bezel can be used flexible for battens from 6 to 46 mm.

Injection bezel, aluminium made with rubber collar for dust-proof insertion of the injection hose

Hose diameter: NW50-75 (2" ...3")
Product no.: 2911

Example:



Fit it in the battens



Apply stop bar



Make injection hole



Insertion of the injection hose