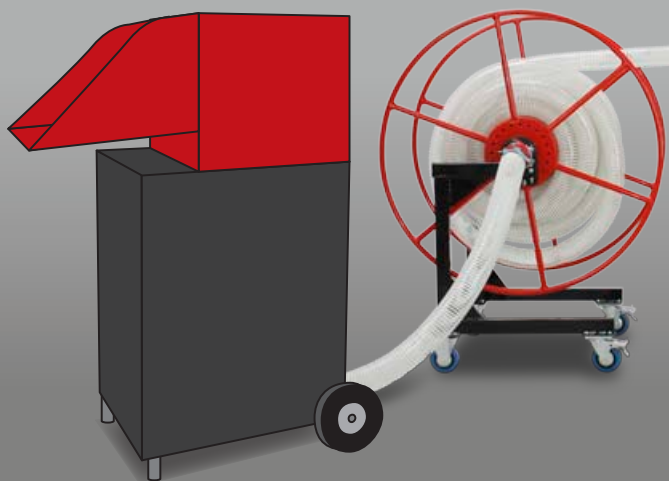


D1000 Plus Hose Reel

Greater Working Comfort with an Integrated Hose Stand



www.x-floc.com



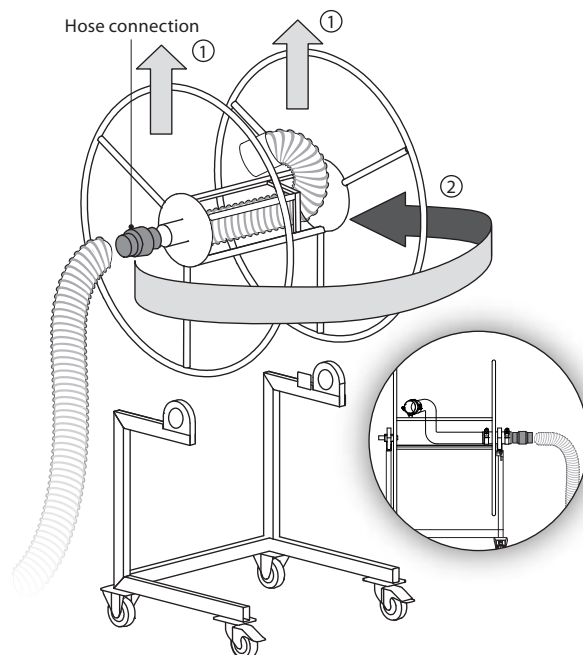
- Lightweight and compact
- Remarkable reduced setup times
- Quick and tidy storage
- Large storage capacity
- Reel-lock function
- Connection side exchangeable
- Fixation to the floor or wall possible

Flexible and space-saving for winding up and unwinding your hoses.

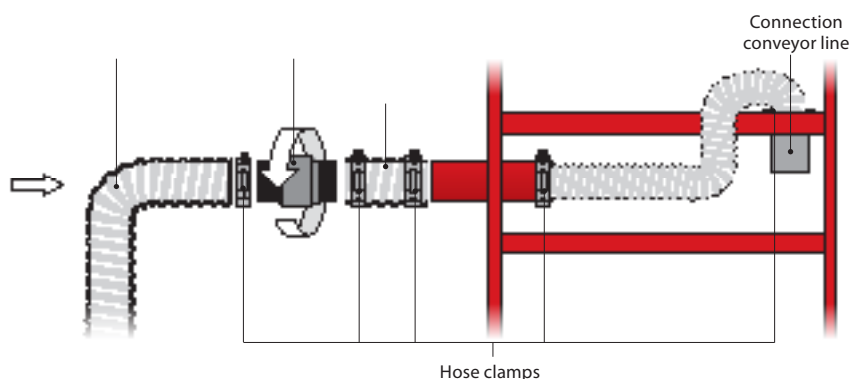
A locking device ensures that your hoses do not unwind when being stored. Note: the capacity of the hose reel depends upon the hose type used (see table).



With an integrated hose stand your hoses are ready for use with minimal set-up times, and are quickly and easily tidied away ready for the next job.

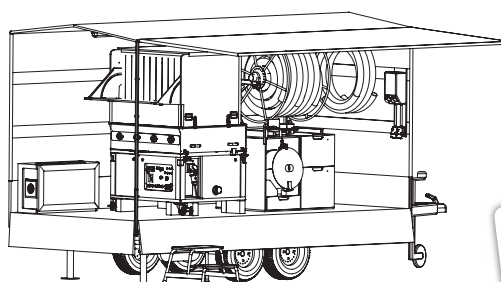


The connection side of the hose reel can be changed very fast.



The hose reel can be fitted easily inside construction site vehicles, on trailers, or at the warehouse. Regardless of their function, with the hose reel your hoses are always ready for use and stored properly in the right place. Setup times can also be reduced to a minimum.

The hose reel can be fitted with castors for increased mobility. It is made of high-quality powder-coated steel with bush bearings.



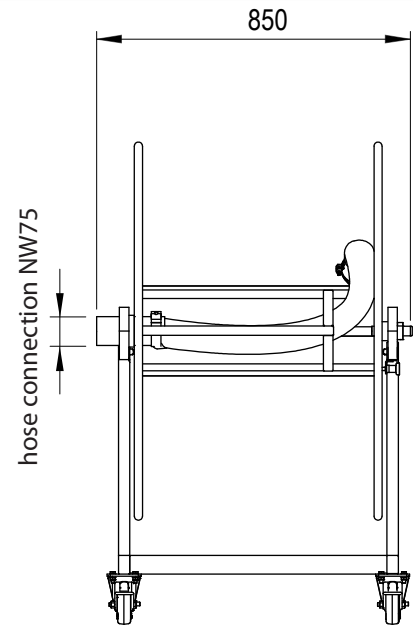
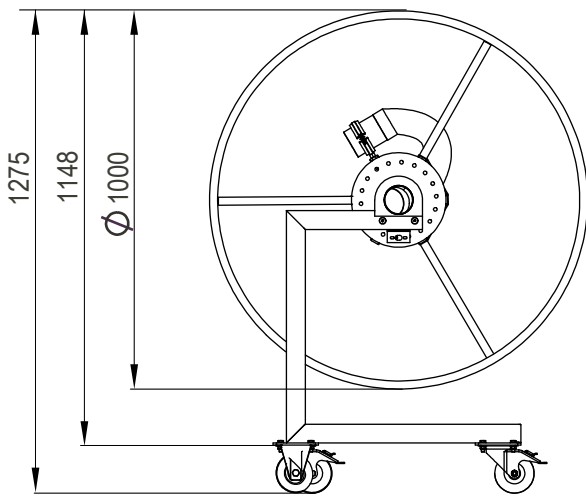
Demo videos on:
www.x-floc.com/videos

D1000 Plus Hose Reel

Dimensions, Components and Capacity



www.x-floc.com



Hose reel capacity

Type	Hose size	Hose length
Injection hose	NW50 (2")	approx. 110 m
Conveyer hose	NW50 (2")	approx. 130 m
Injection hose	NW63 (2 1/2")	approx. 70 m
Conveyer hose	NW63 (2 1/2")	approx. 90 m
Injection hose	NW75 (3")	approx. 45 m
Conveyer hose	NW75 (3")	approx. 60 m

Order data

Image	Description	Prod. no.
	D1000 plus hose reel: Hose connection through the side of the reel NW75 (3"), powder-coated steel with locking system, (fixed/swivel castors not included)	6464
	Heavy duty fixed castors	4766
	Heavy duty swivel castors	4767
	SDV75 rotary hose connector: Rotatable hose connector for twist free hose line. Material: Aluminium	4451
	Accessoires set for connection to the machine: - SDV75 rotary hose connector - 10 cm conveyer hose NW75 - 3 m conveyer hose NW75 - 3 hose clamps NW75	5845



Frame can be ordered with swivel/ fixed castors if desired.